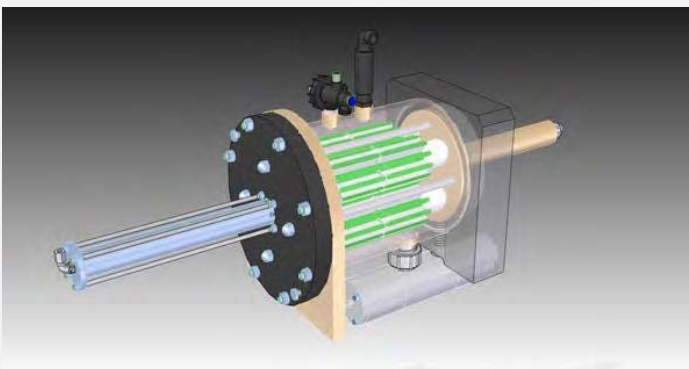


AUTOMATIC MICRO FINE FILTRATION type MFF



General Technical Specs

- * Typical filtration range 0,5 - 10 micron
- * Typical operating pressure is 0,5 - 4 bar
- * Max operating temperature is standard 40°C
- * Filtration level depends on dirt load and micron range
- * Pressure drop clean filter 0,05 bar
- * Pressure drop polluted filter 0,3 bar



Justification of Cost

- * Automatic cleaning and thus less down time
- * Low pressure drop
- * No waste filters
- * Modular system for increased capacity
- * Fine filtration down to 0,5 micron

Fields of application

- * Recycling of wastewater
- * Pre-filtration of RO membranes
- * Decentralized wastewater treatment plant
- * Removal of cysts and parasites (such as cryptosporidium) from drinking water and fish farming ponds
- * Filtration of rinse bad in the electro-plating
- * Polishing of sewage water after settler

Standard types

MFF-006	6 liter / minute capacity
MFF-025	25 liter / minute capacity
MFF-050	50 liter / minute capacity
MFF-150	150 liter / minute capacity